



Microswitches and sealed position switches

**If your application depends on it**

## SERIE **MP700**

- Plastic or metal case
- IP67 protection
- 30 mm or 35 mm case width
- Wide temperature range



## **Sealed limit switches**



## Serie MP700

The family MP700 of sealed limit switches with their metal or plastic housing finds their application everywhere you have limited space available and where the environmental conditions are difficult.

The products comply with IEC 947-5-1 and come with a choice of more than 10 different actuators. The cable is directly moulded into the housing for a complete IP67 protection.



## Major specifications

- Metal or plastic housing
- 30 mm or 35 mm housing width
- Forced break switch with slow action or snap action
- Complete IP67 protection
- Ouvermoulded cable connection

## General technical data

	MP720	MP730..MP760
<b>Standards device confirms with</b>	IEC 947-5-1	IEC 947-5-1
<b>Operating Temperature</b>	-40°C to +130°C -40°F to +266°F	-25°C to +70°C -13°F to +158°F
<b>Degree of protection</b>	IP67	IP67
<b>Mechanical Life</b>	10 million operations	10 million operations
<b>Switching frequency</b>	3600 operations per hour	3600 operations per hour
<b>Switching Mechanism</b>	forced break slow action	forced break slow action or snap action
<b>RATING</b>		
<b>Conventional thermal current</b>	6A	5A
<b>Short circuit protection</b>	6A	6A
<b>Rated operational current</b>	<ul style="list-style-type: none"> <li>• <b>240VAC</b> AC-15 3A</li> <li>• <b>250VDC</b> DC-13 0.27A</li> </ul>	<ul style="list-style-type: none"> <li>AC-15 1.5A</li> <li>DC-13 0.1A</li> </ul>

MP7 0 0 - 0 - 0 / 4 2

**Case**

- 2** 130°C Version
- 3** plastic 30 mm
- 4** metal 30 mm
- 5** plastic 35 mm
- 6** metal 35 mm

**Cable outlet**

- 0** right
- 1** right gold plated°
- 2** left
- 3** down

**Switching Block**

- 0** X Slow Action
- 1** Y Snap Action°

**Actuator**

see pictures

**Number of conductors (4 or 5)**

**Cable length in m (1 m standard)**

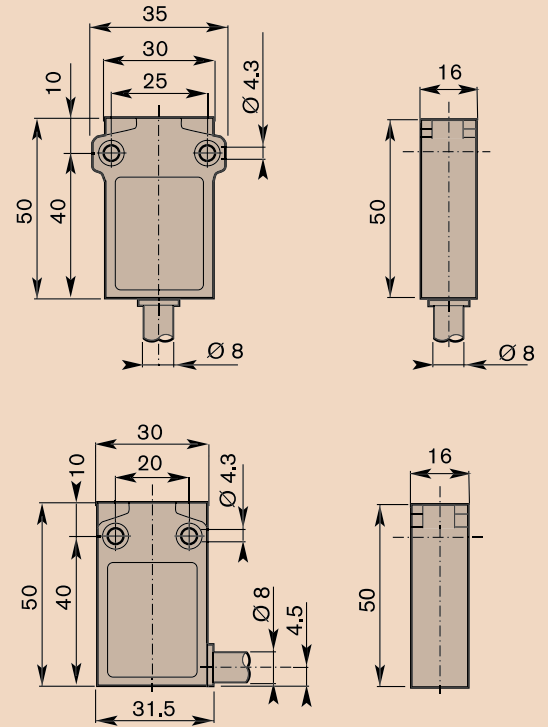
**Cable Material (PVC standard)**

**SI** Silicone (upon request)

**PUR** Polyurethane (upon request)

° only available for 130°C version

° not available for 130°C version



**Actuators**

\*Standard roller in plastic (P), metal (A) also available





## MICROPRECISION ELECTRONICS SA

P.O. Box 160 ▪ Route de l'Industrie 27  
CH - 1896 VOUVRY ▪ SWITZERLAND  
Tel: +41(0)24 481 43 43 ▪ Fax: +41(0)24 481 43 60  
info@microprecision.ch ▪ www.microprecision.ch

### Trust more than 50 years of experience!

Companies, whose activities encompass such different areas as food processing, chemicals, machine-tools, transport, etc., have been placing their trust in Microprecision Electronics SA for a long time; they have found it to be a first-class and reliable partner, able to supply tailor-made products which meet international standards.

56 basic types and more than 1000 possible configurations allow virtually any application to be met in industries where harsh environments require the highest technological competence.

Microprecision Electronics SA has set itself the task of listening to its customers expectations so that it can provide tailor-made solutions from the small production runs.



For more information, please contact one of our resellers  
or visit our website: [www.microprecision.ch](http://www.microprecision.ch)

聯輝電子有限公司  
新竹縣竹北市高鐵八路193號2樓  
Tel: 03-667 2580  
Fax: 03-667 2581  
M: 0932 372 863  
E-mail: [gte.info@gmail.com](mailto:gte.info@gmail.com)  
URL: [www.gte.url.tw](http://www.gte.url.tw)