

# Data Sheet 1.14.002.--- Short-Travel Switch MICON 5



SMD standard version



SMD low version



THT standard version

Order no.	Terminals	Height [mm]	Operating Force F1 [N] (+- 20%)	Switching Travel S2 [mm] (+- 0.15 mm)	Operating life [operations] (testing force)	Product code
1.14.002.101/0000	SMD	standard 3.85	2.8	0.7	1.000.000 (4 N)	X
1.14.002.001/0000	SMD	standard 3.85	4.0	0.8	250.000 (6 N)	Z
1.14.002.111/0000	SMD	standard 3.85	5.4	0.9	1.000.000 (8 N)	W
1.14.002.121/0000	SMD	standard 3.85	8.0	1.0	1.000.000 (12 N)	V
1.14.002.011/0000	SMD	standard 3.85	8.0	1.0	250.000 (12 N)	Y
1.14.002.103/0000	SMD	low 3.45	2.5	0.5	1.000.000 (4 N)	S
1.14.002.003/0000	SMD	low 3.45	4.0	0.6	250.000 (6 N)	T
1.14.002.113/0000	SMD	low 3.45	5.0	0.6	1.000.000 (8 N)	R
1.14.002.106/0000	THT	standard 3.85	2.8	0.7	1.000.000 (4 N)	O
1.14.002.006/0000	THT	standard 3.85	4.0	0.8	250.000 (6 N)	Q
1.14.002.116/0000	THT	standard 3.85	5.5	0.9	1.000.000 (8 N)	N
1.14.002.126/0000	THT	standard 3.85	8.0	1.0	1.000.000 (12 N)	M
1.14.002.016/0000	THT	standard 3.85	8.0	1.0	250.000 (12 N)	P

## Dimensions

Length 6.4 mm  
 Width 5.1 mm  
 Height see order block above

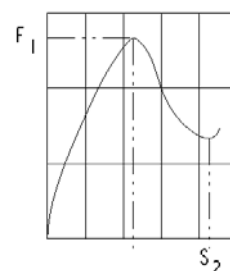
## Mechanical Design

Mounting soldering  
 Terminals SMD L- inward, tin-plated (lead free) or THT  
 Contact system snap-action contact (snap disc)  
 Contact arrangement 1 NO  
 Contact materials gold (Au)

## Mechanical Characteristics

Operating force  $F_1$  see order block above  
 Switching travel  $S_2$  see order block above

### Force/travel diagram



**Electrical Characteristics**

Rated voltage	0.02 - 42 V DC
Rated current	0.01 - 100 mA
Rated power max.	1 W (Ohmic load)
Contact resistance	< 100 mΩ
Bouncing time	< 5 ms
Insulation resistance	min. 10 <sup>9</sup> Ω
Dielectric strength	250 V AC

**Other Specifications**

Ambient temperature operating	-40°C ... +90°C
Ambient temperature storage	-40°C ... +90°C
Resistance to vibrations	5 g acc. to. IEC 600 68-2-6
Resistance to constant environment	IEC 600 68-2-78 and 2-30
Resistance to variable environment	IEC 600 68-2-14 and 2-33
Flammability of materials	UL 94 V1
Operating life	see order block

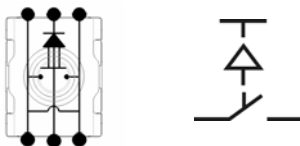
**Solderability**

SMD version	DIN IEC 60068-2-58 and DIN EN 61 760-1
THT version	E DIN IEC 60068-2-20

**Standard packaging**

SMD version	tape with 2100 pieces
THT version	tube with 102 pieces

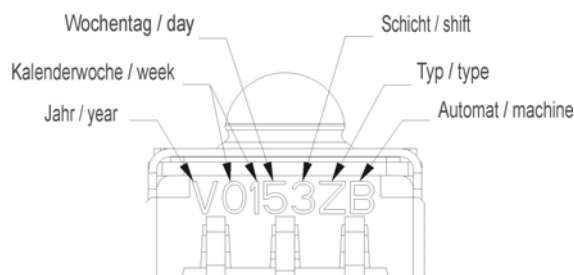
**Circuit Diagram acc. to IEC 617**



**Product Code acc. to (EN ISO 8402) DIN EN ISO 9001**

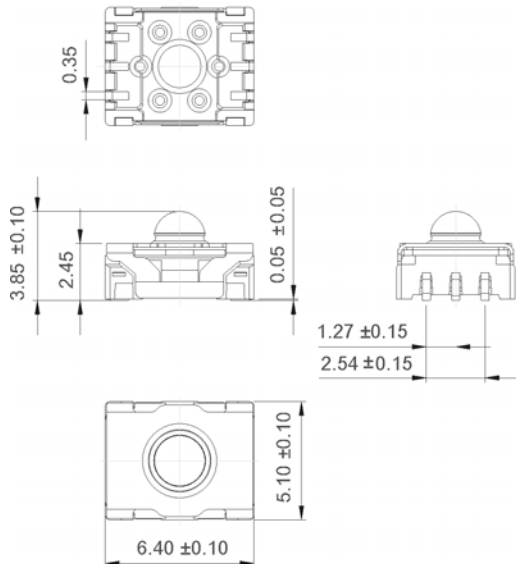
Traceability acc. to (EN ISO 8402) DIN EN ISO 9001, 2000, 7.5.3

A 7-digit code is printed on the housing of the keyswitch. This code informs about production date, production shift and type of product:

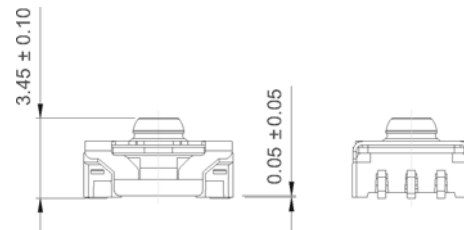


**SMD Version**

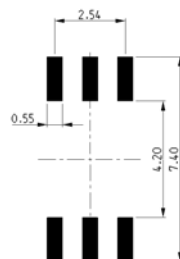
**Dimensional drawing  
SMD standard version**



**Dimensional drawing  
SMD low version**



**Soldering foot print  
SMD version**



**Mounting Hints**

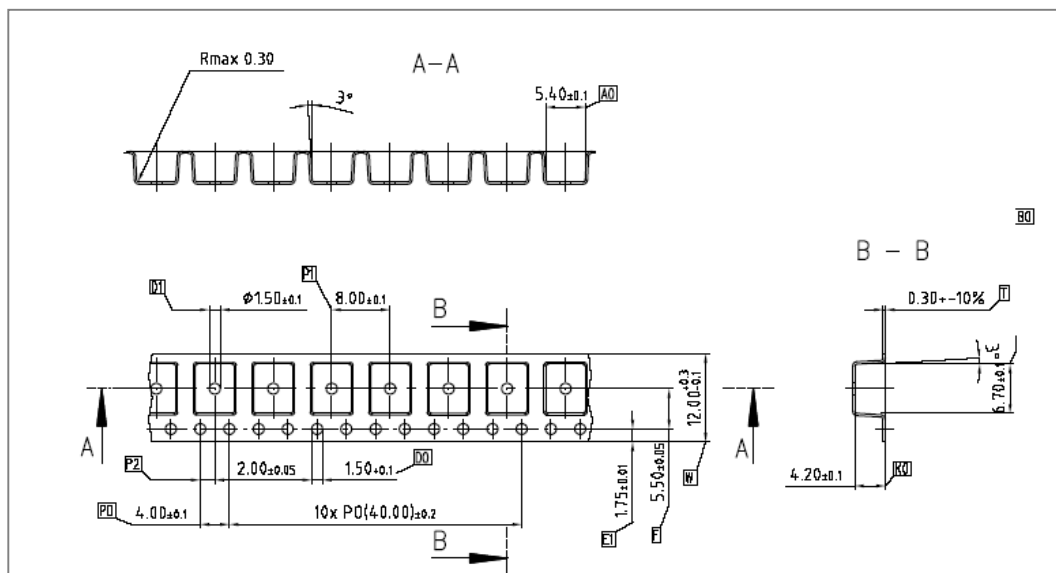
**Pipette**

Special pipette (Siemens Siplace order no.: 348514-02) mounting with collect and place head

**Recommendation for screen printing**

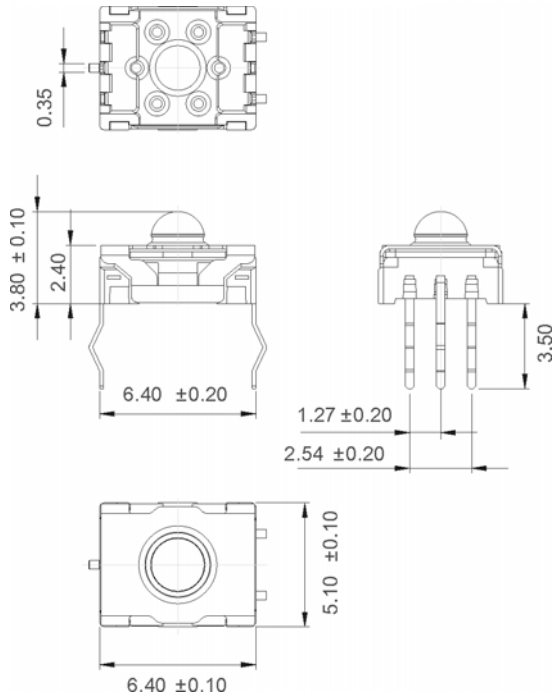
150µm stencil with 10% reduction of the pad size

**Tape and reel drawing:**

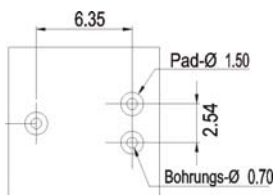


**THT Version**

**Dimensional drawing  
THT standard version**



**Hole pattern  
THT version**



Preliminary technical data, subject to technical modifications.

3 dimensional data in step or igs format on request.

**RAFI GmbH & Co. KG**  
Ravensburger Str. 128-134, D-88276 Berg/Ravensburg  
Tel.: +49 751 89-0, Fax: +49 751 89-1300  
www.rafi.de, info@rafi.de